



Ages 14+

READ THE INSTRUCTION MANUAL CAREFULLY  
PLEASE VISIT [WWW.HUBSAN.COM](http://WWW.HUBSAN.COM) TO UPGRADE



# THE HUBSAN FPV X4 DESIRE

ITEM NO: H502S

FLY WHEN NO GPS SETUP, SEE CAUTION ON PAGE 02

ARM/DISARM MOTORS, SEE PAGE 06

RTH FUNCTION, SEE PAGE 09-10

FOLLOW ME FUNCTION, SEE PAGE 10-11

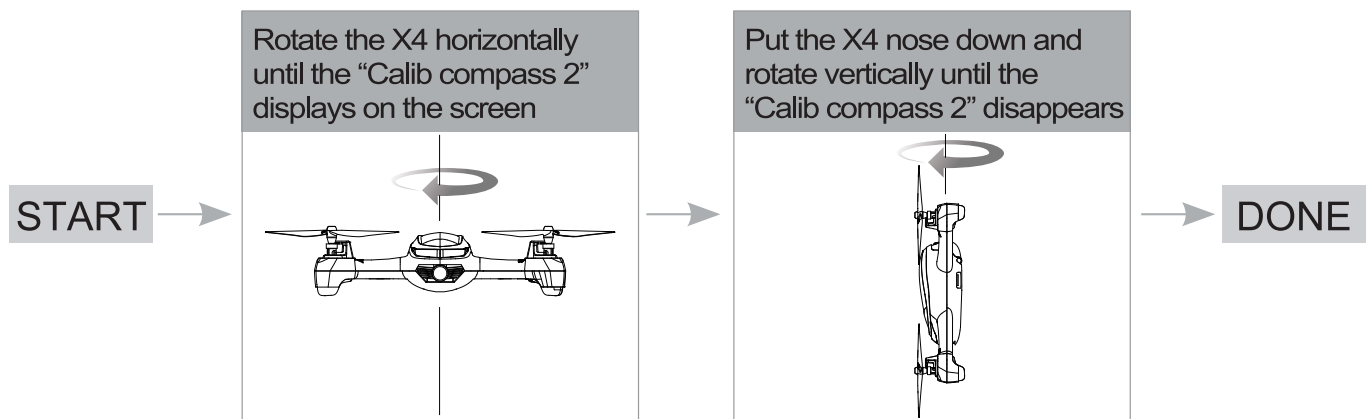
COMPASS CALIBRATION, SEE PAGE 16

TRANSMITTER CALIBRATION, SEE PAGE 17

# COMPASS CALIBRATION BEFORE FLY

Compass calibration is required after the binding as instructed on the transmitter.

- 1.) Rotate the X4 horizontally until the "Calib compass 2" displays on the screen.
- 2.) Put the X4 nose down and rotate it vertically until the "Calib compass 2" disappears.
- 3.) Calibration done.



- 
- ⊘ • Do not calibrate the compass in a strong magnetic field
  - Do not carry ferromagnetic materials with you while calibrating the compass, such as keys, cell phones, etc.
-

# Hubsan FPV X4 Desire

Please read the instruction manual carefully!

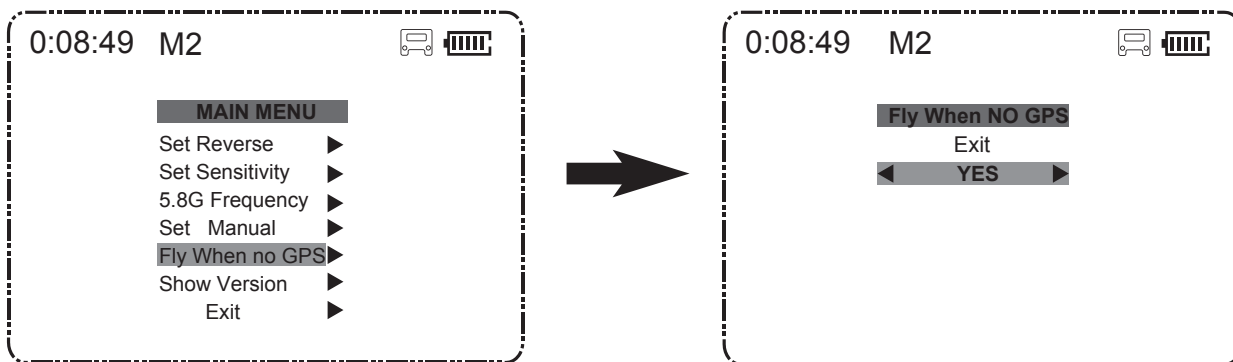
## CAUTION:

For safety, the quadcopter is default set to CAN NOT FLY WHEN NO GPS. If you prefer to fly when GPS is not available, please reset the value as instructed below before using.

Pull the throttle stick to the lowest position and press the Elevator stick for 1.5 seconds to enter into the MAIN MENU interface. Push the Elevator stick up/down to select “Fly When no GPS”, push the stick right to enter into the “Fly When no GPS” interface, select “YES”.

**The Default Setting is “NO”.**

Select “Exit” to exit.



## IMPORTANT SAFETY NOTES

### OPERATION:

Be extremely careful and responsible when using the drone. Small electronic components can be damaged by crashing or by dropping the X4 into water. To avoid further damages, please replace broken parts immediately.


### Flight:

- Take responsibility for the safety of yourself and others when flying the X4 !
- Do not fly the X4 in crowded places.
- Do not fly in bad weather.
- Never try to catch the X4 while it is in flight.
- This model is intended for experienced pilots age 14+.
- Power off the X4 after flight to prevent the propellers from causing injuries.
- Always remove the battery after you stop flying to avoid injuries from accidentally powering on the motors.
- Always take great caution to protect yourself when near the propellers. The flight system will start after powering on regardless of the transmitter signal. The high speed propellers are very dangerous.
- Power off the X4 after every flight, otherwise the propellers may still rotate and cause injury.

# INTRODUCTION

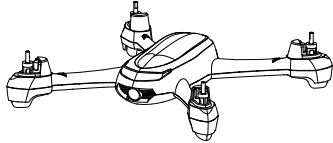


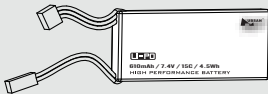

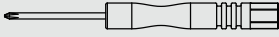
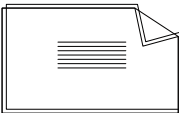
Thank you for buying the HUBSAN product. It is designed as an easy-to-use, multi-functional RC model, capable of hovering and acrobatic flight maneuvers. Please read the manual carefully and follow all the instructions. Be sure to keep the manual for future reference.

**Quadcopter Weight: 155g(including battery)**

 **FPV:** First Person View Function enables you to experience every live moment of the flight from the drone's point of view.

## 1. ITEMS INCLUDED IN THE BOX

Check all the items in the box before using.

S/N	Part Name	Photos	Q'ty	Remarks
1	Quad copter		1PC	Equipped with smart flight controller,GPS and compass
2	Propellers		8PCS	Propeller A 4pcs, Propeller B 4pcs
3	Transmitter		1PC	FPV Transmitter (powered by 4 X AA battery -Not included)
4	7.4V Li-Po battery		1PC	For quad copter
5	USB Charger		1PC	For Li-Po battery charging
6	Screw-driver		1PC	For removing propellers
7	User Manual		2PCS	Disclaimer Hubsan X4 Instruction Manual

## 2. QUAD COPTER MOTOR LED INDICATOR

### Indicator Status:


Front LED: is blue; Back LED: is red.

1. Power on: 4 LED indicators blink simultaneously every 1.5 seconds.
2. Compass Calibration:
  - 1). Horizontal calibration: 4 LED indicators blink circularly.
  - 2). Vertical calibration: 4 LED indicators blink alternately.
3. GPS Flight: 4 LED indicators remain lighted.
4. GPS Return : 2 front LED remain lighted, and 2 back LED blink twice every second.
5. Headless Flight: 2 front LED blink twice every second, and 2 back LED remain lighted.
6. Photo: 2 front LED remain lighted, 2 back LED blink once.
7. Video: 2 front LED remain lighted, 2 back LED blink alternately.
8. LED indicators can be turned off by long pressing the LED SW on transmitter when taking pictures and videos.

## 3. QUAD COPTER BATTERY

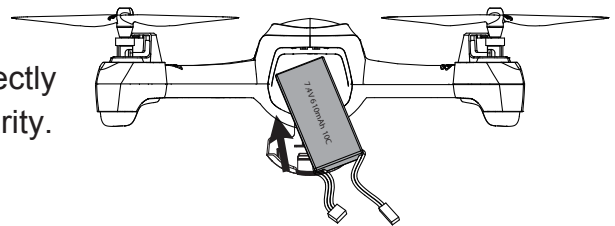
### 3.1 INTRODUCTION

The quad copter battery is a rechargeable Li-Po battery with 610mAh capacity and 7.4V voltage. The battery should only be charged with the HUBSAN charger to avoid overcharge.

 Please make sure the battery is fully charged before first time use.

### 3.2 INSTALL THE BATTERY

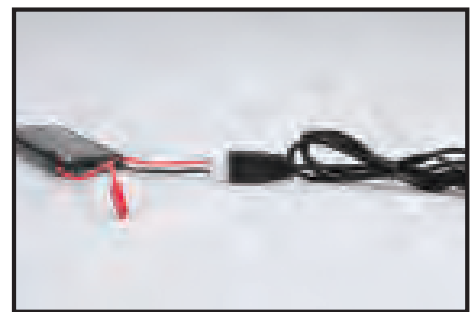
Push the battery into the battery compartment correctly and connect the battery plugs with the correct polarity. Close the battery compartment cover.




### 3.3 CHARGING

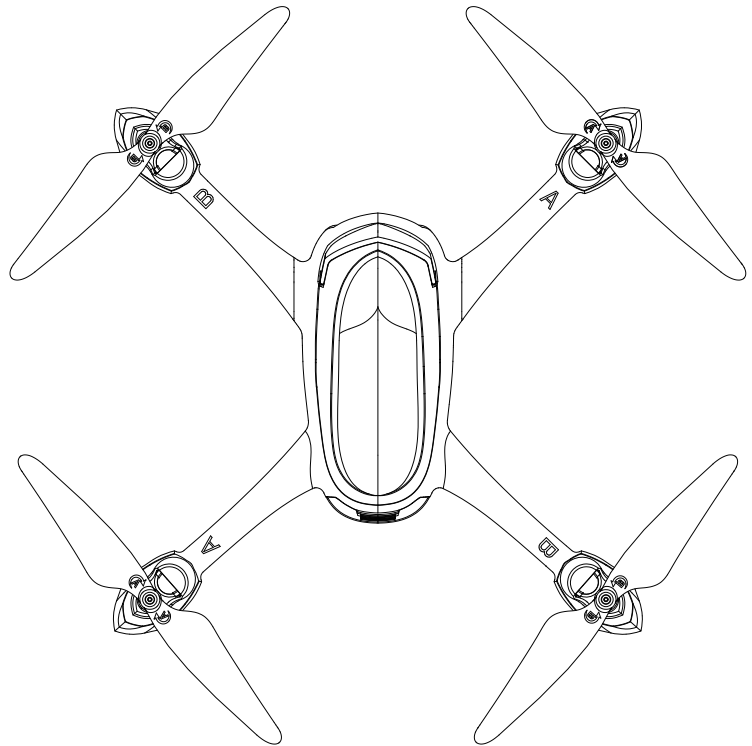
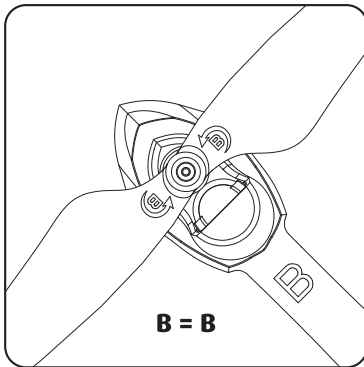
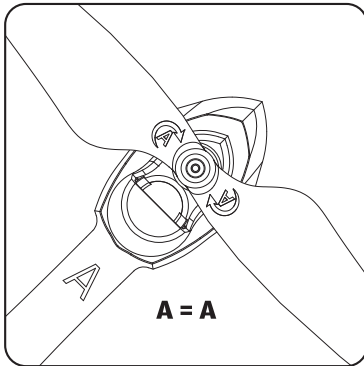
Connect the battery to the USB charger, then connect the USB charger to USB devices, such as a computer or mobile power charger.

It takes around 150 minutes to fully charge the battery with 460~495mA current. The USB LED indicator blink slowly in red when charging and will remain lighted when the battery is fully charged. Please unplug the charger and battery when the charging is completed.

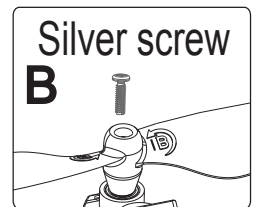
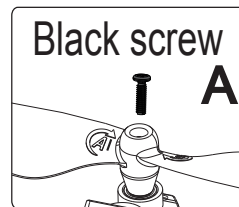


 Please fully charge the batteries to avoid loss of control due to low voltage.  
Risk of explosion if battery is replaced by an incorrect type.  
Dispose of used batteries according to the local regulations.

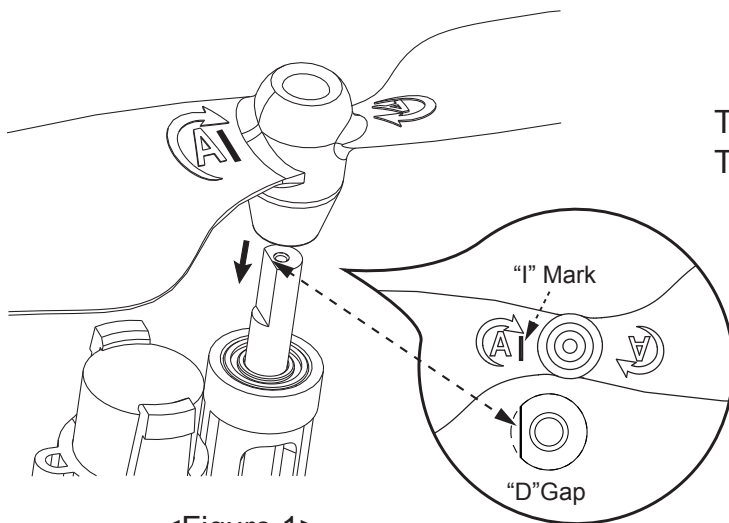
## 4. PROPELLERS



Attach the propellers to the corresponding motors that are marked A and B, tighten the propellers and keep the motors deadlocked with the screw-driver.

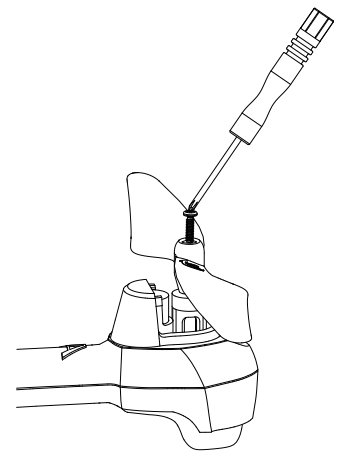


Tighten the A propeller with black screw;  
Tighten the B propeller with silver screw.



<Figure 1>

Match the "I" mark on propellers to the "D" gap on motor shafts when assembling, as figure 1 shows.



- ⚠ • Make sure that the A and B propellers are installed correctly. The X4 will not fly if propellers are improperly installed.
- Hazardous moving parts keep fingers and other body part away.

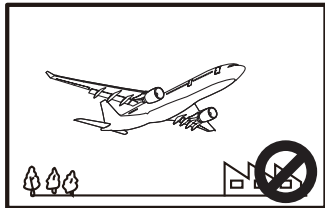
## 5. START TO FLY

### 5.1 FLIGHT ENVIRONMENT

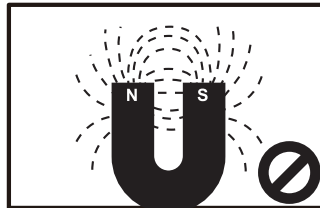
- (1) The flying area should be open and without tall buildings or other obstacles; the steel structure within buildings interferes with the compass and the GPS signal.
- (2) DO NOT fly in bad weather such as strong wind, heavy snow, rain or fog.
- (3) Keep away from barriers, people, power cables, trees, and other obstructions.
- (4) Do NOT fly near radio towers or airports.
- (5) The X4 control system will not work properly at the South or North Pole.
- (6) DO NOT fly in restricted areas and obey your country's laws and regulations.



High Tension Line



Airport



Interference



Rain

### 5.2 BINDING

The binding is completed in factory.

For re-binding, press Photo button and power on the transmitter simultaneously until “Bind to Plane” displayed, then power on the drone, and place it very close to the transmitter, the binding will be completed after one “beep” heard.

Should the binding failed, please power off the drone and repeat above steps.

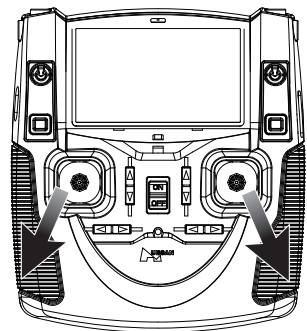
### 5.3 ARM/ DISARM THE MOTORS

#### Arm the motors

Method : Pull the left stick to the left lowest corner and the right stick to the right lowest corner as the picture shows. Release both sticks after the motors are armed.

If the motors can not be armed after binding, please make sure:

1. Compass calibration is completed
2. The value of Fly When No GPS is “YES”
3. GPS switch and RTH switch is OFF.



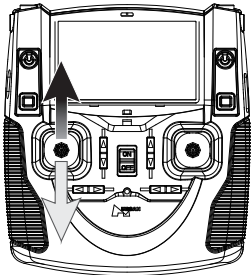
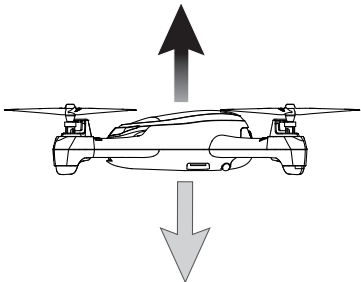
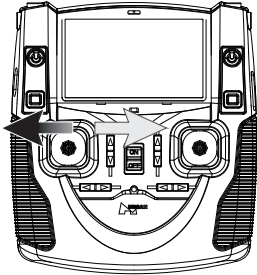
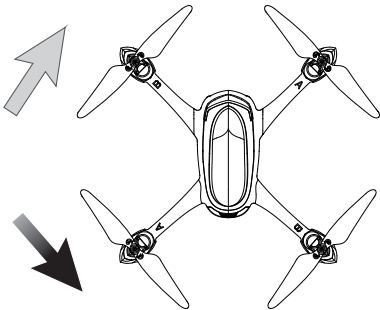
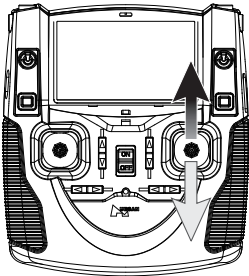
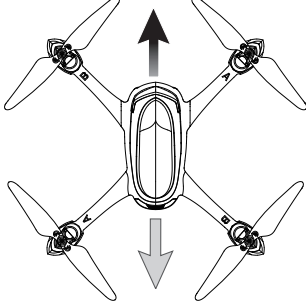
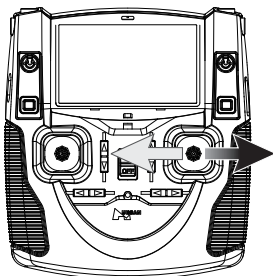
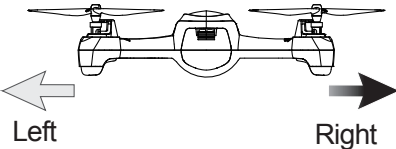
#### Disarm the motors

Method : Pull the left stick to the left lowest corner and the right stick to the right lowest corner again, and release both sticks after the motors are disarmed.


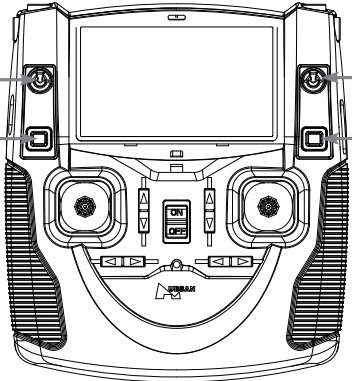

- ⊘ Do not stop the motors during the flight to avoid crashing.
- 💡 Push the sticks lightly. Release the sticks after the motors are armed or disarmed.

## 5.4 BASIC FLIGHT

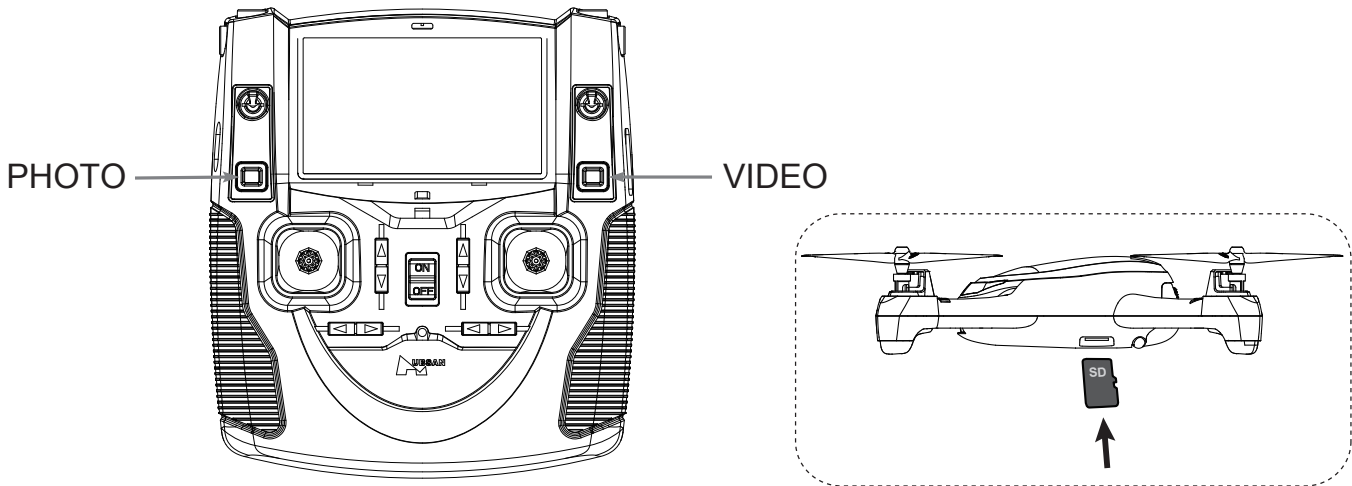
The operation mode for the transmitter including Mode 1 or Mode 2. The manual will use Mode 2 as an example to illustrate the transmitter's operation.

Transmitter (Model 2)	X4	Remarks
	<p style="text-align: center;">X4</p> <p style="text-align: center;">UP</p>  <p style="text-align: center;">Down</p>	<p>The throttle stick controls the ascent and descent .</p> <p>Push up the stick and the X4 will ascend.</p> <p>Pull down the stick and the X4 will descend.</p> <p>When the stick is in the center, the X4 will hover and hold its altitude automatically .</p> <p>Move the throttle stick above the center position to take off. (Move the stick gradually to prevent the X4 from ascending too quickly.)</p>
	<p style="text-align: center;">Right rotation</p>  <p style="text-align: center;">Left rotation</p>	<p>The Rudder stick controls the rotate direction</p> <p>Push the stick to the left and the X4 will rotate counter-clockwise</p> <p>Push the stick to the right and the X4 will rotate clockwise.</p> <p>When the stick is in the center, the X4 will keep the current direction and not rotate.</p> <p>Pushing harder will cause the X4 to rotate faster in the corresponding directions.</p>
	<p style="text-align: center;">Forward</p>  <p style="text-align: center;">Backward</p>	<p>The Elevator stick moves the X4 forward and backward.</p> <p>Push the stick up the and the X4 will fly forward.</p> <p>Pull the stick down and the X4 will fly backward.</p> <p>When the stick is in the center, the X4 will hold its position.</p> <p>The angle of stick movement corresponds to the angle of tilt and flight speed.</p>
	 <p style="text-align: center;">Left</p> <p style="text-align: center;">Right</p>	<p>The Aileron stick controls left and right flight.</p> <p>Push the stick to the left and the X4 will fly to the left.</p> <p>Push the stick to the right and the X4 will fly to the right.</p> <p>The X4 will keep the current status when the stick is in the center.</p> <p>The angle of stick movement corresponds to the angle of tilt and flight speed.</p>




 <p>position 1 (upward)      position 2 (downward)</p>	<p>The GPS Switch controls the position-hold function. In position 1 (up), the GPS function works. In position 2 (down), the GPS function is inactive.</p>
 <p>GPS Switch      RTH Switch Photo Button      Video Button</p>	<p>The RTH Switch controls the automatic return home function. In position 1 (up), the RTH function works. In position 2 (down), the RTH function is inactive.</p>
<p><b>Important Note:</b> The GPS and RTH functions are only available outdoors. Please make sure the two switches keep downward when indoors.</p>	<p>For the Photo/Video function, always power off the quadcopter and the transmitter when inserting or removing the SD card</p> 

## 5.5 PHOTO/VIDEO



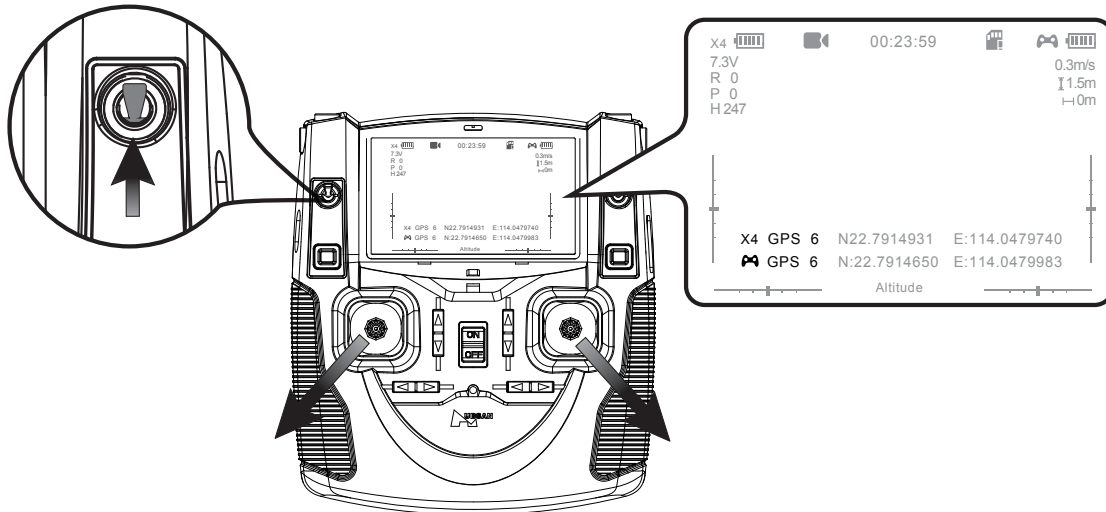
Insert the SD card into quadcopter before using Photo/Video function.  
Press the Photo button for 0.5 second to take photos.  
Press the Video button for 0.5 second to take videos and press again to save the videos.

 Stop recording before the SD card is removed.

## 6. ADVANCED PERFORMANCE SETUP

### 6.1 GPS POSITIONING/ HOME POINT SETTING

1.) GPS Positioning works ONLY when the GPS signal has no less than 6 satellites.



Push up the GPS switch to activate the GPS positioning.

Pull down the GPS switch to exit the GPS positioning (only altitude hold will be active).

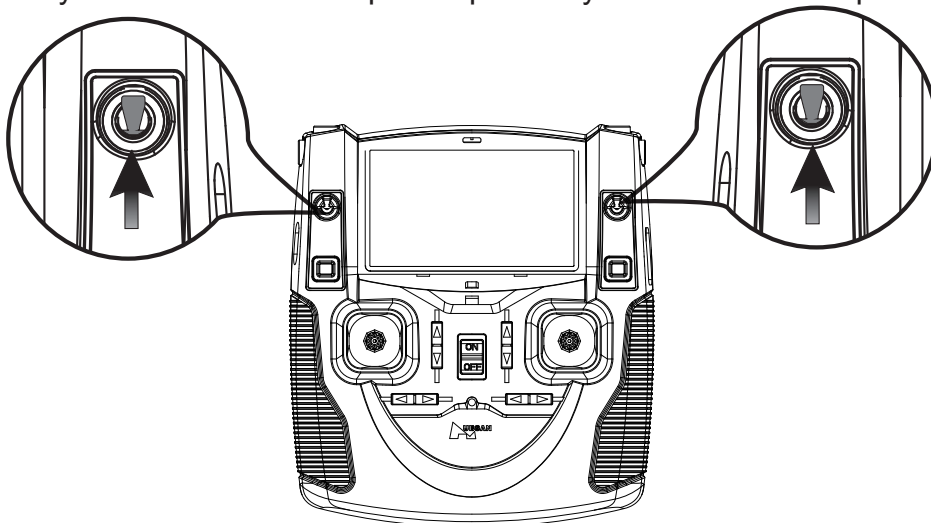
2.) Home Point is recorded when armed the motors with no less than 6 GPS satellites.

3.) You should be in an open place to search for the GPS satellites, it'll take 3 mins to finish the searching, and the GPS signal strength depends on the flying environment.

### 6.2 RTH MODE (RETURN TO HOME)

ENTER INTO RTH MODE

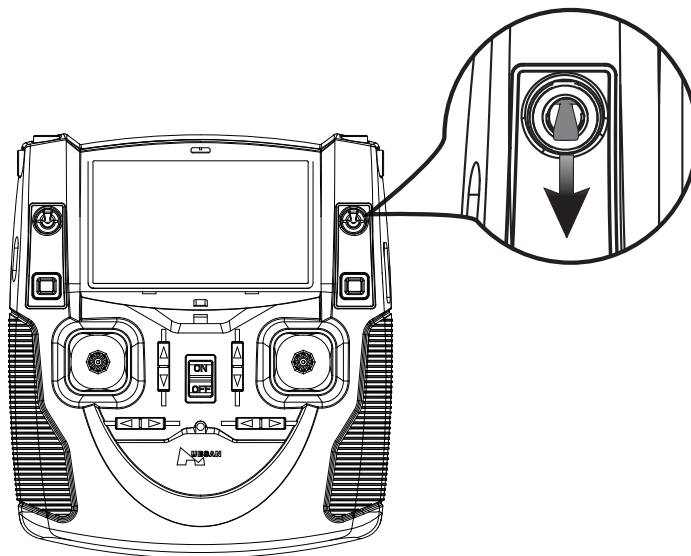
Push the GPS Switch and the RTH Switch up, and the quad copter will enter into RTH mode. The flight control system will control the quad copter to fly back to the home point and land automatically.



**!** The RTH MODE only works when the GPS mode is activated with no less than 6 satellites. The Home Point is recorded when armed the motors with no less than 6 GPS satellites.

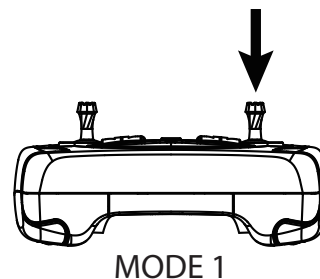
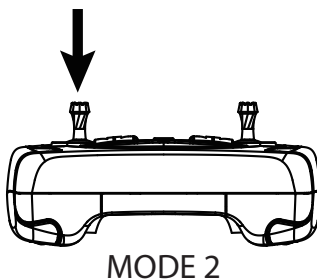
## EXIT RTH MODE

Pull down the RTH Switch, the X4 will exit the RTH Mode.



## 6.3 HEADLESS MODE

Headless mode means the X4 will default any directions (corresponding to the directions of transmitter sticks) as the up ahead when the mode is activated.



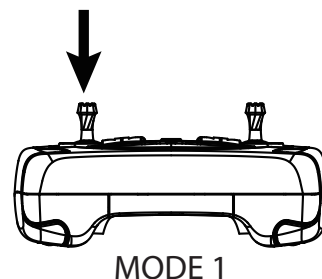
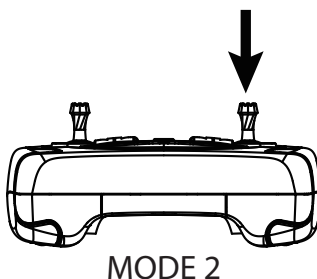
Press the Throttle stick 0.5 second to switch on/ off headless mode.

Press the stick to enter into Headless Mode, indicated by two "beep" sounds and the "HEADLESS ON" displays on the LCD.

Press the stick again to exit Headless Mode, indicated by one "beep" sound and the "HEADLESS OFF" displays on the LCD.

## 6.4 FOLLOW ME MODE

Follow Me Mode means the drone follows the transmitter automatically as it has built-in GPS system.



---

Press the Elevator stick for 0.5 second to switch on/ off follow me mode.

Press the stick to enter into the follow me Mode, indicated by two "beep" sounds, the " FOLLOW ON" displays on the LCD and the drone will turn and face the transmitter.

Press the stick again to exit follow me Mode, indicated by one "beep" sound and the " FOLLOW OFF" displays on the LCD .



The follow me mode only works when the GPS (both on transmitter and on drone) has no less than 6 satellites.

## 6.5 FAILSAFE MODE

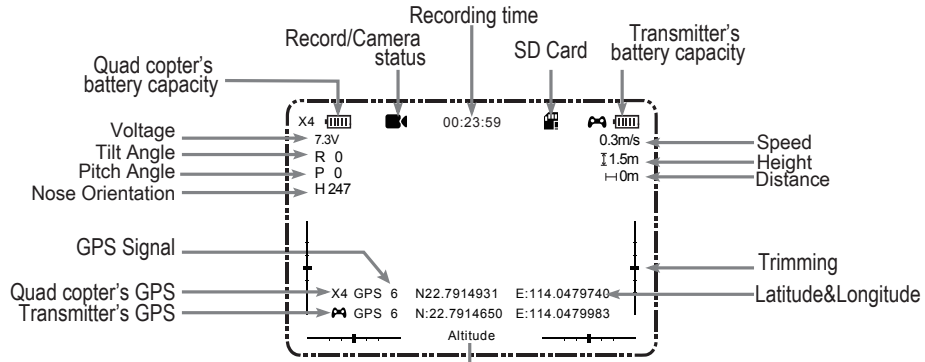
The quad copter will enter into failsafe mode when the connection is lost from the transmitter. The flight control system will control the quad copter to return to the HOME POINT and land automatically. The failsafe mode helps to avoid injuries or damages.

### CONDITIONS WHICH ACTIVATE THE FAILSAFE MODE

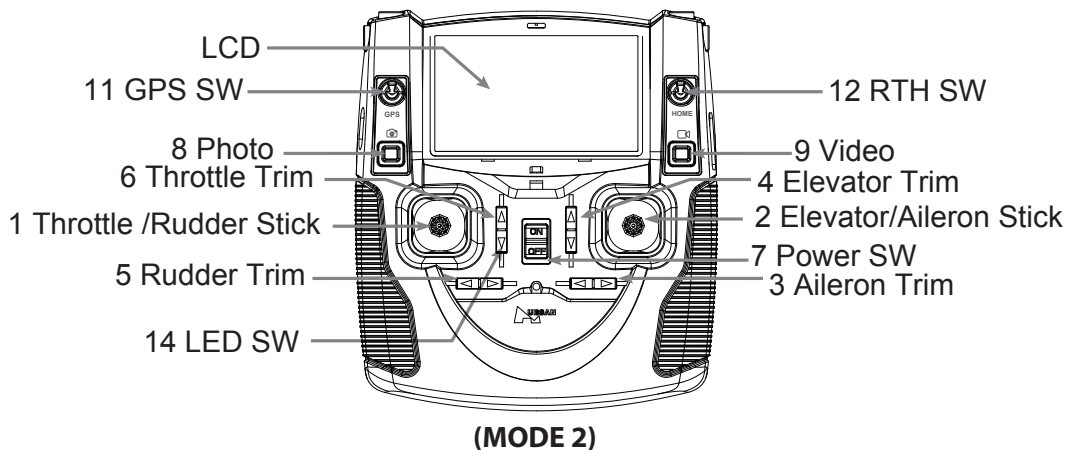
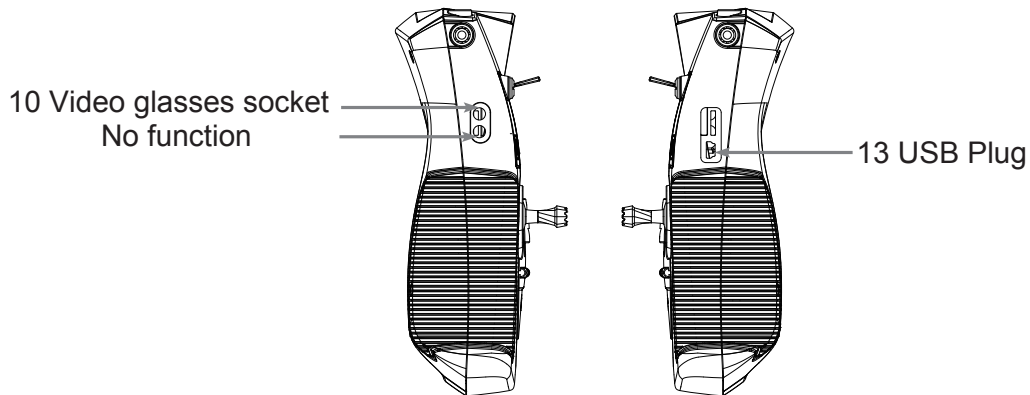
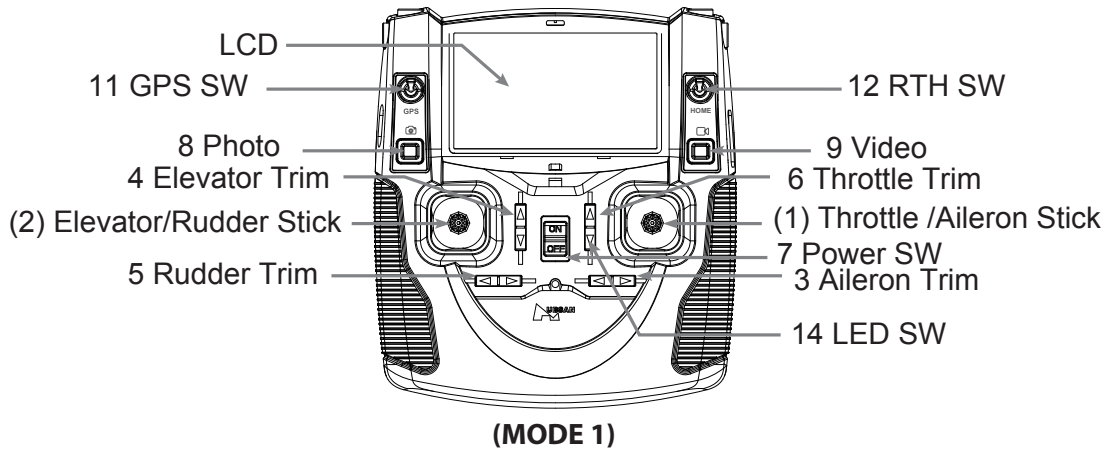
- (1) Transmitter is powered off.
- (2) The flight distance is beyond the range of the transmitter's signal transmission.
- (3) The transmitter's signal was interrupted by some other strong electronic interference.

- 
- ⊘ • To ensure that the X4 can return safely to its home point when signal is lost, fly the X4 in safe flight area.
  - If the quantity of GPS satellites drops below six for more than 20 seconds while the X4 is returning home, the X4 will descend automatically.
  - The X4 can not avoid obstacles automatically while in failsafe mode.
-

# 7. TRANSMITTER



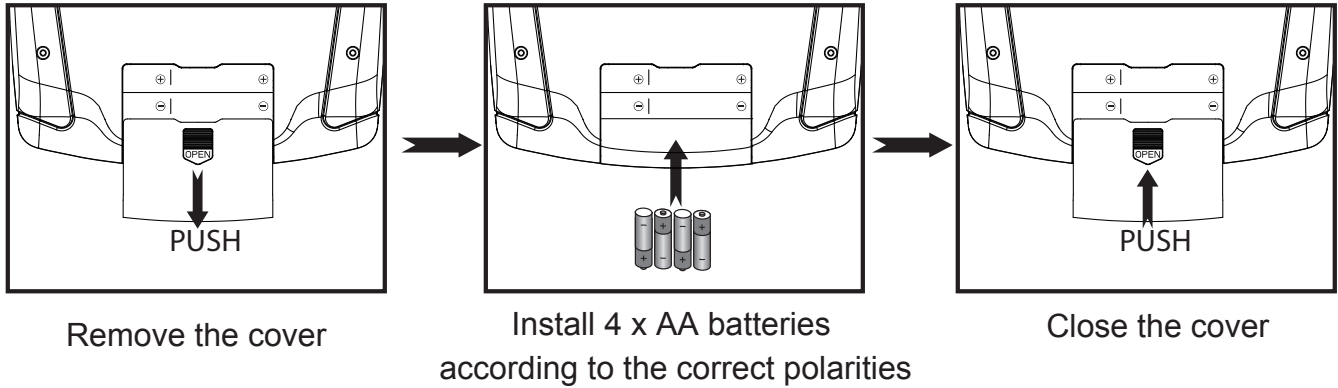
The display keep updating according to different functions (eg:GPS Hold,Return Home,Follow me, Expert)



## 7.1 INPUT KEY FUNCTION

S/N	Mode/ Control	Function
(1)	<b>MODE 1</b> Throttle/Aileron Stick	Push the stick forward or backward and the quadcopter will ascend or descend; Push the stick left or right and the quadcopter will fly left or right.
(2)	<b>MODE 1</b> Elevator/Rudder Stick	Push the stick forward or backward and the quadcopter will fly forward or backward; Push the stick left or right and the quadcopter will rotate counter clockwise or clockwise.
1	<b>MODE 2</b> Throttle/ Rudder Stick	Push the stick forward or backward and the quadcopter will ascend or descend; Push the stick left or right and the quadcopter will rotate counter clockwise or clockwise.
2	<b>MODE 2</b> Elevator /Aileron Stick	Push the stick forward or backward and the quadcopter will fly forward or backward; Push the stick left or right and the quadcopter will fly left or right.
3	Aileron Trim	Aileron trim adjusts for left and right drift.
4	Elevator Trim	Elevator trim adjusts for forward and backward drift.
5	Rudder Trim	Rudder trim adjusts for drift of left and right rotation or yaw.
6	Throttle Trim	Throttle trim is normally left at neutral.
7	Power Switch	Push to turn on the transmitter. Push again to turn off.
8	Photo	Press the photo button to shoot photos.
9	Video	Press video button to start recording and press again to stop.
10	Video glasses socket	Connect Hubsan video glasses (The video glass is not included)
11	GPS SW	Push the switch up, the built-in GPS will calculate the quadcopter's position and height and help to keep the quadcopter in a stable hover (ONLY FOR OUTDOORS)
12	RTH SW	Push the switch up, the quadcopter will return to the home point automatically ( ONLY FOR OUTDOORS)
13	USB plug	For upgrading the software
14	LED SW	To turn on/off LED motor indicators

## 7.2 INSTALL THE TX BATTERY

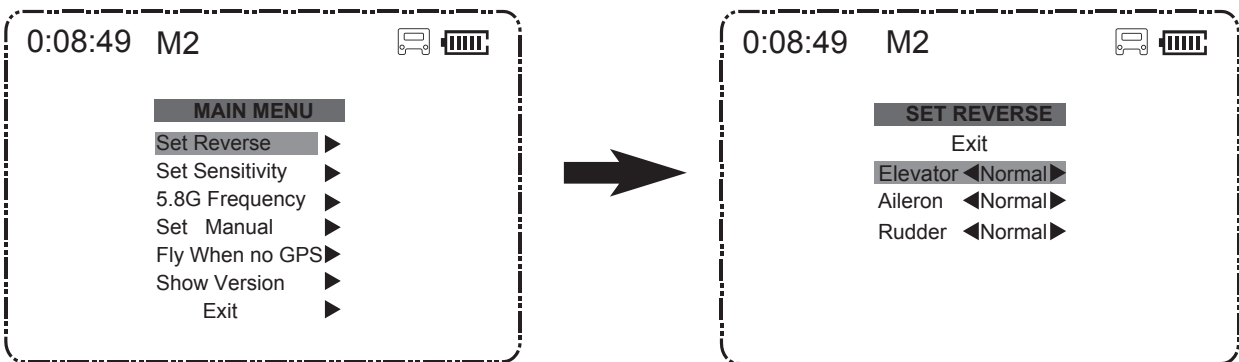


- Do not mix old and new batteries
- Do not mix different types of batteries
- Do not charge non-rechargeable battery.

## 7.3 REVERSING CHANNEL SETUP

If you would like to reverse any of the stick functions due to personal preference then follow the instructions below. Be aware that it will change the controls back to front.

Pull the throttle stick to the lowest position and long press the Pitch stick simultaneously to enter into MAIN MENU interface. Push the Elevator stick up/down to select “Set Reverse”. Select “Exit” to exit.

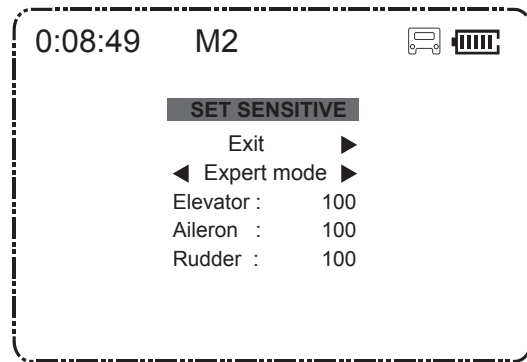
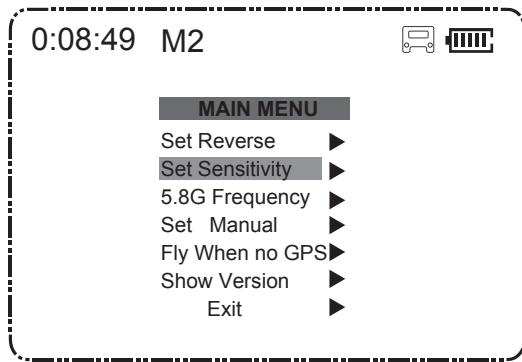


## 7.4 SENSITIVITY SETUP

If you would like to change the sensitivity of any of the stick functions then follow the instructions below.

Pull the throttle stick to the lowest position and long press the Elevator stick to enter into the MAIN MENU interface. Push the Elevator stick up/down to select “Set Sensitivity”, push the stick right to enter into the “set sensitivity” interface, select “Expert mode” or “Normal mode”.

Select “Exit” to exit.

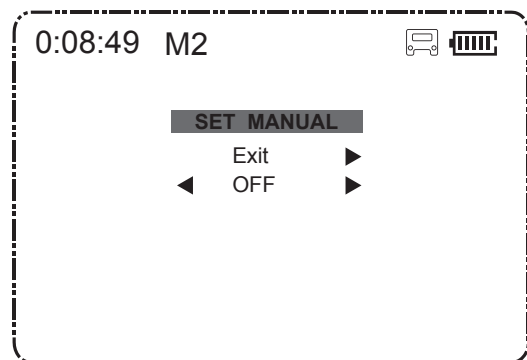
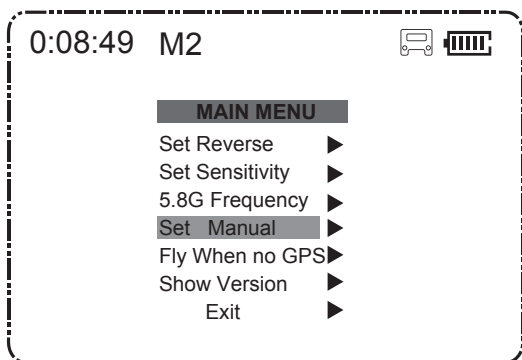


Sensitivity default setting is in Expert Mode.

## 7.5 MANUAL MODE SETUP

If you would like to make acrobatic flights, such as throwing, please switch off the GPS function and follow the instruction below to enter into the Manual mode

Pull the throttle stick to the lowest position and long press the Elevator stick to enter into the MAIN MENU interface. Push the Elevator stick up/down to select “Set Manual”, push the stick right to enter into the “ SET MANUAL” interface, select “ON” (without altitude function) or “OFF” (with altitude function). Select “Exit” to exit.



Manual Mode default setting is OFF.

## Notice:

1. When the power on the transmitter runs low, the red LED will blink quickly and the LCD screen will turn black, also the transmitter and X4 may disconnect. Please replace with new batteries.
2. If the batteries in the transmitter runs low while flying the X4, you can still control the X4, please land the X4 and then replace batteries.
3. The Transmitter can only use 2S Lipo batteries, 4XAA batteries or NI-MH AA batteries, other batteries will damage the Transmitter.

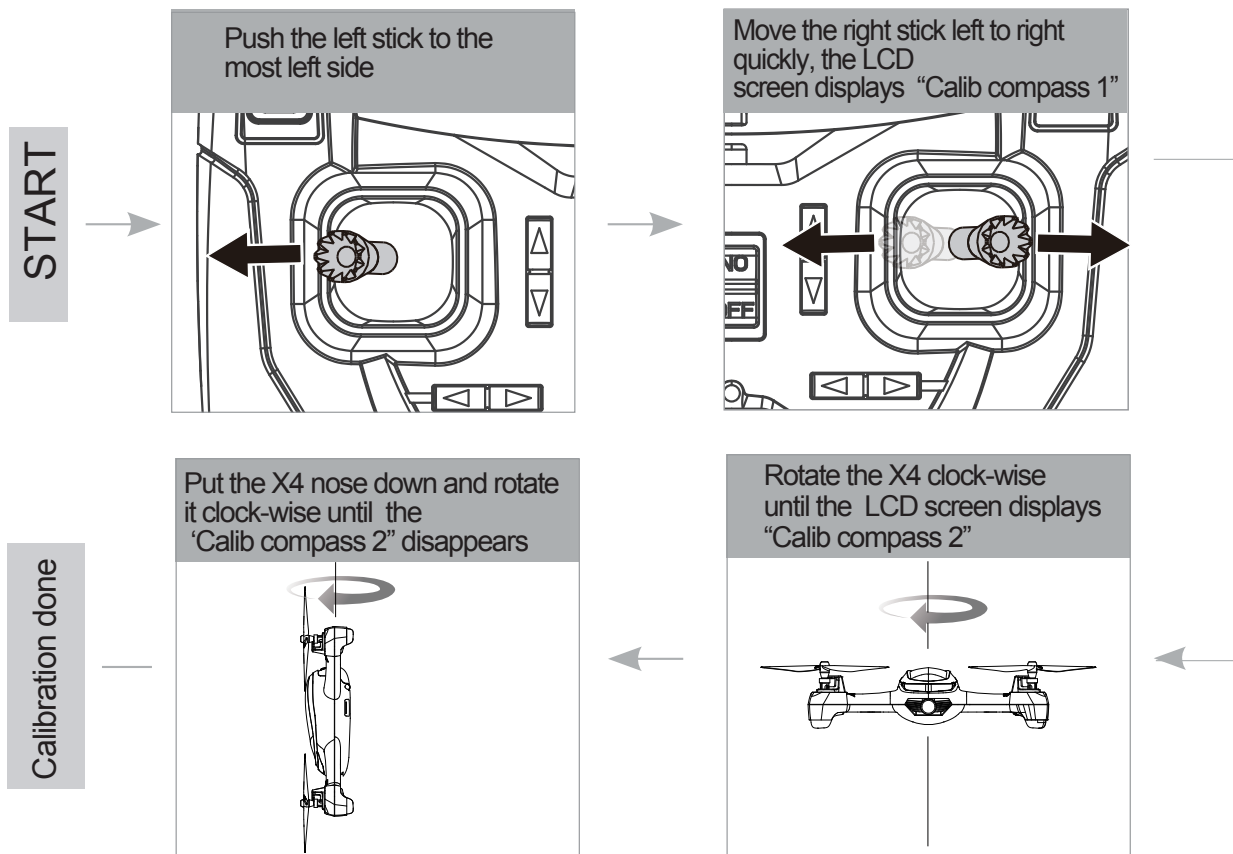


## 8. QUADCOPTER CALIBRATION

### 8.1 COMPASS CALIBRATION

Compass calibration is required when the X4 is yaw during flight, please follow the calibrating procedures:

- 1) Push the left stick to the most left side, and move the right stick left to right quickly until the transmitter displays "Calib compass 1"
- 2) Rotate the X4 horizontally clock-wise until the LCD screen displays " Calib compass 2"
- 3) Put the X4 nose down and rotate it vertically clock-wise until the " Calib compass 2" on screen disappears, and 4 LED indicators remain lighted.
- 4) Calibration done.



- ⊘ Do not calibrate the compass in a strong magnetic field
- Do not carry ferromagnetic materials with you while calibrating the compass, such as keys, cell phones, etc.

### 8.2 HORIZONTAL CALIBRATION

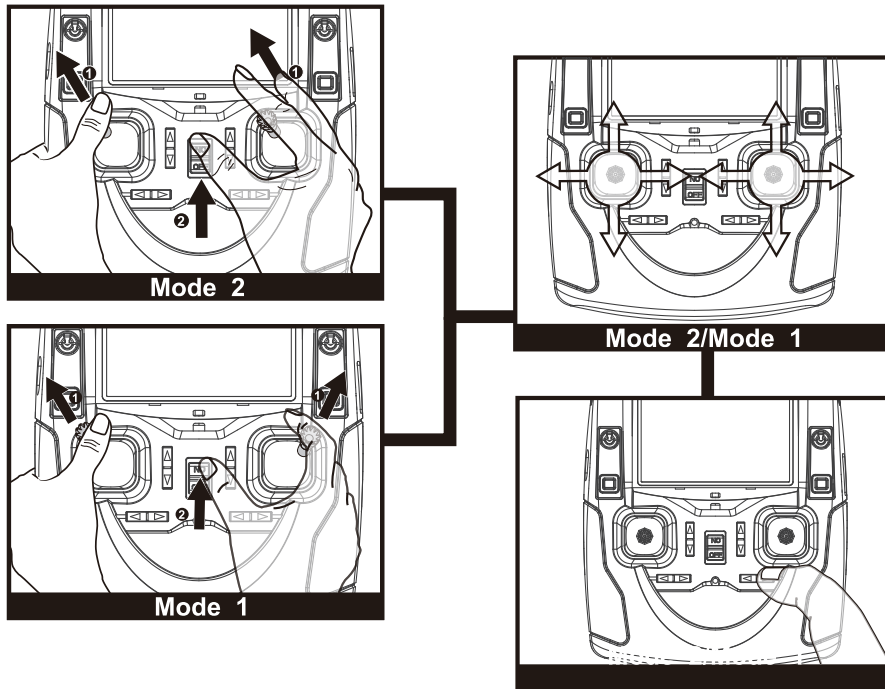
Horizontal calibration is required when the X4 is drift during flight.

- 1) Push the left stick to the most right side, and move the right stick left to right quickly until the 4 LED indicators blink slowly simultaneously
- 2) Calibration succeeded when the 4 LED indicators stop blinking and remain lighted.

## 9. TRANSMITTER CALIBRATION

**Mode 2:** Push both sticks to the upper left corner and power on the transmitter simultaneously until “Calibrate Stick Mode 2” displays on LCD, rotate both sticks in circles for three times, then release both sticks, press any trim for 1.5 seconds until the LED on the transmitter turns into solid green which indicates a successful calibration.

**Mode 1:** Push the left stick to the upper left corner and the right stick to the upper right corner and power on the transmitter simultaneously until “Calibrate Stick Mode 1” displays on LCD, rotate both sticks in circles for three times, then release both sticks, press any trim for 1.5 seconds until the LED on the transmitter turns into solid green which indicates a successful calibration.

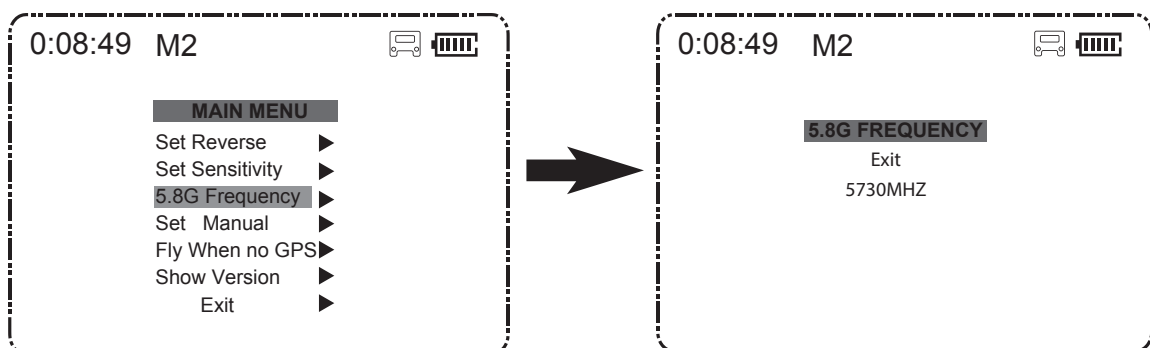


 The transmitter mode can be shifted according to the above operation.

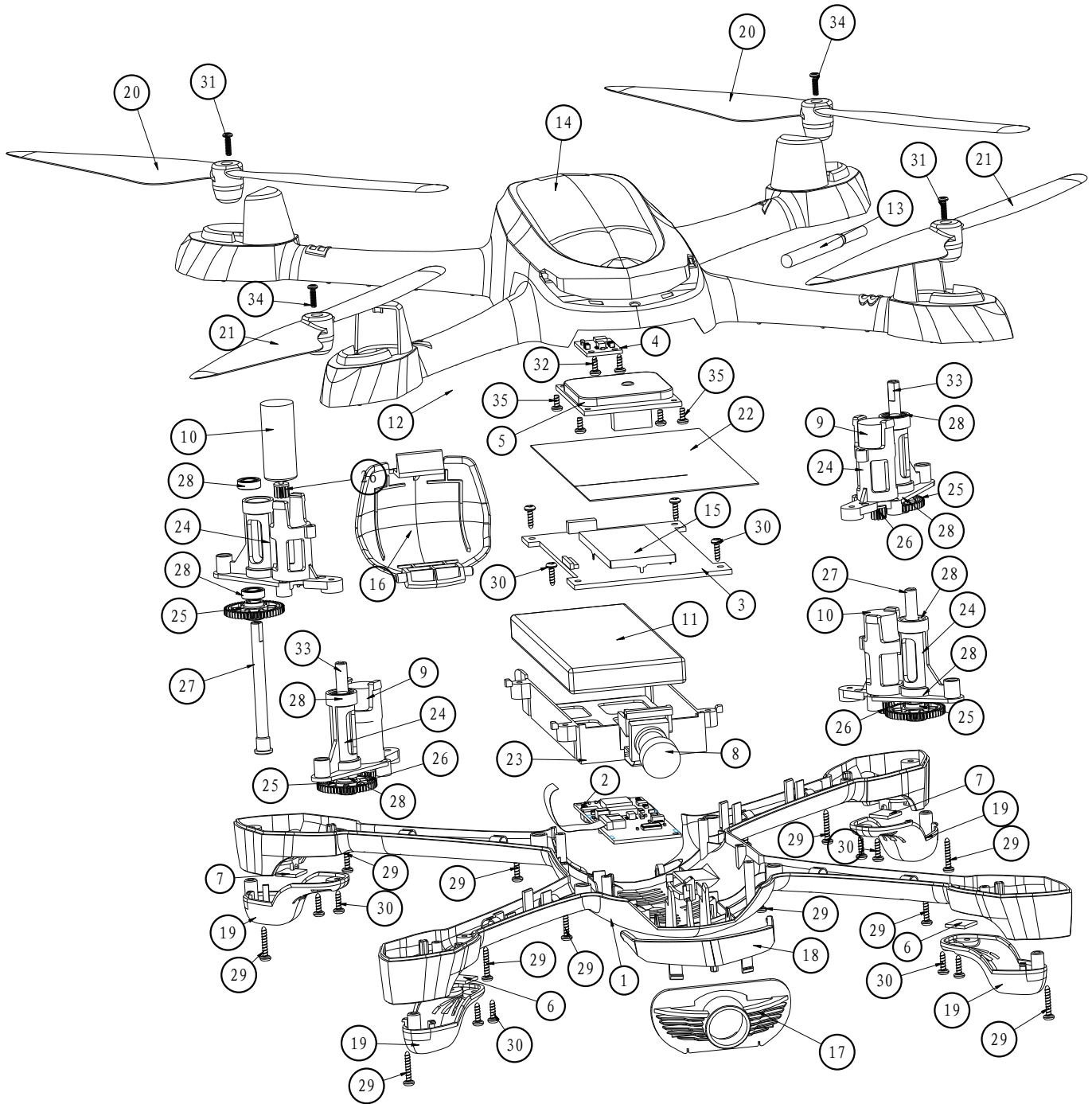
## 10. FREQUENCY SELECTABLE 5.8GHZ

The transmitter will automatically find the best frequency to ensure a live video with good quality of transmission. Please re-select the frequency from 5730MHZ to 5845MHZ to get a better video transmission when necessary.

Pull the throttle stick to the lowest position and press the Elevator stick for 1.5 second to enter into the MAIN MENU interface. Push the Elevator stick up/down to select “5.8G Frequency”, push the stick to the right to enter into the “5.8G frequency” interface, select a matched frequency.



# EXPLODED VIEW



NO	PART NAME	QTY
01	Lower Body Shell	1
02	5.8 GHz Transmission Module	1
03	Main Control Board	1
04	Compass Module	1
05	GPS Module	1
06	Blue LED	2
07	Red LED	2
08	Camera Module	1
09	Motor A	2
10	Motor B	2
11	Li-Po Battery	1
12	5.8G Antenna	1
13	2.4G Antenna	1
14	Upper Body Shell	1
15	GPS Shielding Case	1
16	Battery Cover	1
17	Lens Holder	1
18	Eye Lampshade	1

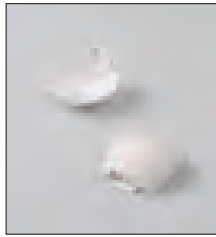
	PART NAME	QTY
19	Rubber Feet	4
20	Propeller A	2
21	Propeller B	2
22	Signal Isolation Membrane	1
23	Battery Compartment	1
24	Motor Holder	4
25	Rotary Gear	4
26	Motor Gear	4
27	Motor shaft A	2
28	Bearing 3*6*2	8
29	Screw PA1.4*7	12
30	Screw PA1.4*5	12
31	Screw PM1.4*5	2
32	Screw PA1.4*4	2
33	Motor shaft B	2
34	Screw PM1.4*5	2
35	Screw PB1.4*3	4

# H502S SPARE PART CHART



**H502S-01**

Body Shell Set



**H502-01**

Battery Cover



**H502-02**

Eye Lampshade



**H502S-02**

Lens Holder



**H502-03**

Lamp Base A/B



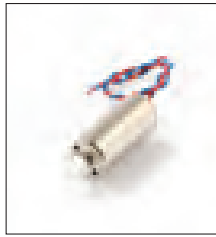
**H502-04**

Screw Set



**H502S-03**

Propeller A/B



**H502-05**

Motor A



**H502-06**

Motor B



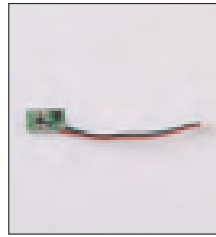
**H502-07**

Motor Holder



**H502S-07**

Bearing



**H501S-13**

Compass Module



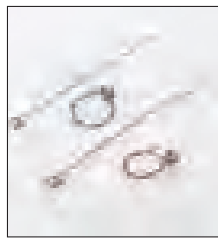
**H502-10**

Motor Gear B



**H502-11**

Motor Shaft



**H502-12**

LED Kit



**H502-13**

2.4G RX



**H502S-06**

Camera Module  
720P



**H502-14**

GPS Module



**H502-16**

Battery



**H501S-15**

TX



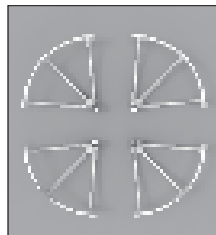
**H502-18**

USB Charger



**H502-19**

Screwdriver



**H502-20**

Protection Cover



**H502S-05**

Crash Pack



**H502-21**

Battery Pack

---

## FCC INFORMATION

This equipment has been tested and found to comply with the limits for a Class B digital device, pursuant to Part 15 of the FCC Rules. These limits are designed to provide reasonable protection against harmful interference in a residential installation. This equipment generates, uses, and can radiate radio frequency energy and, if not installed and used in accordance with the instructions, may cause harmful interference to radio communications. However, there is no guarantee that interference will not occur in a particular installation. If this equipment does cause harmful interference to radio or television reception, which can be determined by turning the equipment off and on, the user is encouraged to try to correct the interference by one or more of the following measures:

- Reorient or relocate the receiving antenna.
- Increase the separation between the equipment and receiver.
- Connect the equipment into an outlet on a circuit different from that to which the receiver is connected.
- Consult the local dealer or an experienced radio/TV technician for help.

Changes or modifications not expressly approved by the party responsible for compliance could void the user's authority to operate the equipment.

This device complies with Part 15 of the FCC Rules. Operation is subject to the following two conditions: (1) this device may not cause harmful interference, and (2) this device must accept any interference received, including interference that may cause undesired operation.

### ENVIRONMENTALLY FRIENDLY DISPOSAL

Old electrical appliances must not be disposed of together with the residual waste, but have to be disposed of separately. The disposal at the communal collecting point via private persons is for free.

The owner of old appliances is responsible to bring the appliances to these collecting points or to similar collection points. With this little personal effort, you contribute to recycle valuable raw materials and the treatment of toxic substances.



### Electrical and electronic equipment that are supplied with batteries (including internal batteries)

#### WEEE Directive & Product Disposal

At the end of its serviceable life, this product should not be treated as household or general waste. It should be handed over to the applicable collection point for the recycling of electrical and electronic equipment, or returned to the supplier for disposal.

Internal / Supplied Batteries.

This symbol on the battery indicates that the battery is to be collected separately.

This battery is designed for separate collection at an appropriate collection point.





User manual is subject to change without prior notice due to unforeseen product upgrades.

Download the latest user manual from

[WWW.HUBSAN.COM](http://WWW.HUBSAN.COM)

VERSION 1.1 EN

